

## Smart PT Camera

### Uho-S2E



### Overview

Uho-S2E is a 2MP indoor PT camera with real-time two-way audio, HD night vision, motion detection, auto tracking, audio detection, human body detection, and other functions. The pan&tilt design allows the camera to flexibly rotate horizontally and vertically, realizing 360°panoramic view. Used with Uniarch APP and EZCloud, you can check the real-time indoor situation anytime and anywhere.

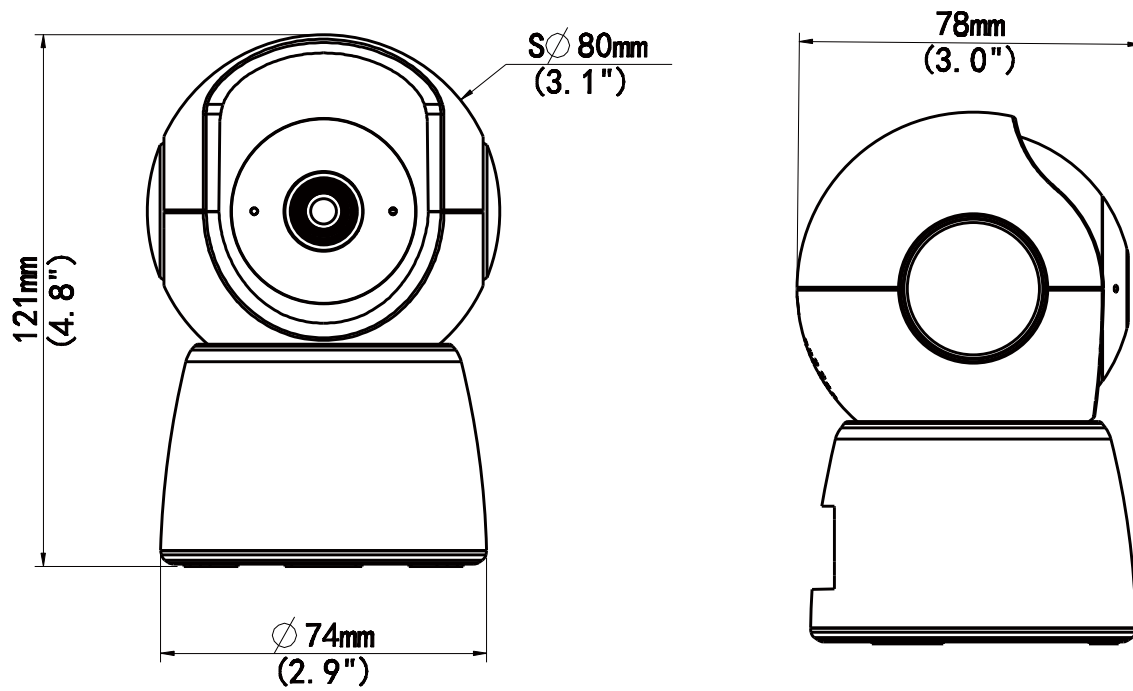
### Features

- 2MP, IR night vision
- 360°panoramic view, 24-hour guard
- Two-way audio
- Multiple detection ways
- Easy and convenient to use

## Specifications

Model	Uho-S2E
<b>Image</b>	
Image sensor	2MP, 1/3" CMOS sensor
Lens	4.0mm@F2.0
FOV	H (horizontal) 86°; V (vertical) 46°; D (diagonal) 104°
Min. illumination	0.01Lux
Illumination range	IR 10m
<b>Audio</b>	
Input/output	Two-way audio (built-in Mic and speaker)
Pickup range	7m
Audio compression	G711A, G711U
<b>Video</b>	
Video compression	H.264,H.265
Stream	Main/sub streams
Frame rate	25fps
<b>Network</b>	
Interface	RJ45*1
Wi-Fi	2.4G Wi-Fi (IEEE802.11b/g/n), built-in antenna
Compatible Integration	ONVIF (Profile S, Profile G, Profile T), API
<b>Interface</b>	
Power	Micro USB interface
SD card	Micro SD card slot
Reset button	Supported
<b>Storage</b>	
SD card storage	Up to 256 GB
<b>Detection function</b>	
Motion detection	Supported
Auto tracking	Supported
Audio detection	Supported
Human body detection	Supported
<b>General</b>	
Power	DC 5V/1A
Mount method	Pendant/desktop mount
Dimensions (Ø x H)	φ 80*121mm
Weight	About 185g(0.41lb)
Operating environment	-10°C to 55°C (14°F to 131°F); < 95% humidity(non-condensing)
Pan/tilt range	Pan0°~340°, tilt-5°~55°
LED indicator	1, red/blue
Certification	CE CB FCC

## Dimensions



[www.uniview.com/uniarch](http://www.uniview.com/uniarch)

©2022 Zhejiang Uniview Technologies Co., Ltd. All rights reserved.

\*Product specifications and availability are subject to change without notice.